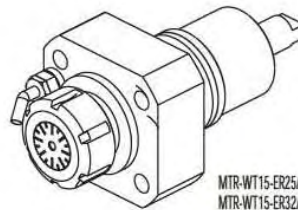
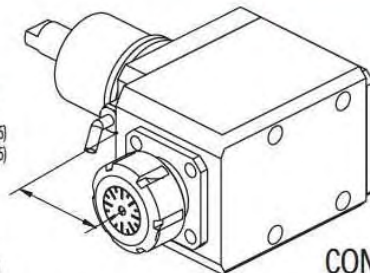


NAKAMURA

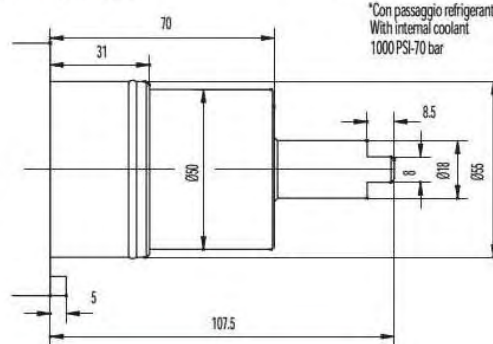
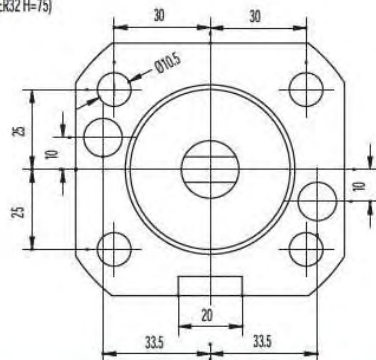
MOTORIZZATI/DRIVEN TOOLS NAKAMURA TW10-WT150-250 WTW150-WTS150 SC150-250

MTR-WT15-ER25RD (ER25 H=55)
MTR-WT15-ER32RD (ER32 H=55)
MTR-WT15-ER25RD-IC* (ER25 H=55)
MTR-WT15-ER32RD-IC* (ER32 H=55)

MWT15ER25RD75 (ER25 H=75)
MWT15ER32RD75 (ER32 H=75)
MWT15ER25RDIC75* (ER25 H=75)
MWT15ER32RDIC75* (ER32 H=75)



CONNECTION

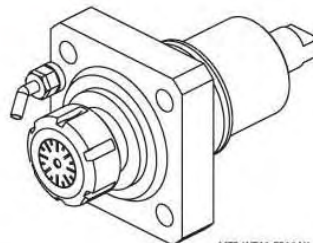
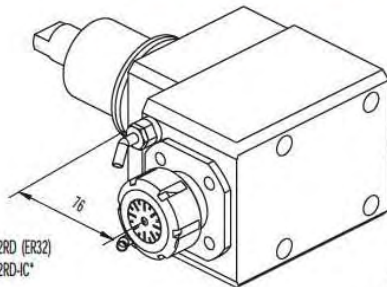


MTR-WT15-ER25AX (ER25)
MTR-WT15-ER32AX (ER32)
MTR-WT15-ER25AX-IC*
MTR-WT15-ER32AX-IC*

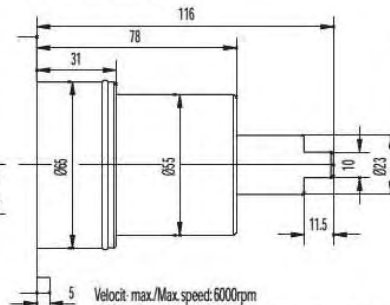
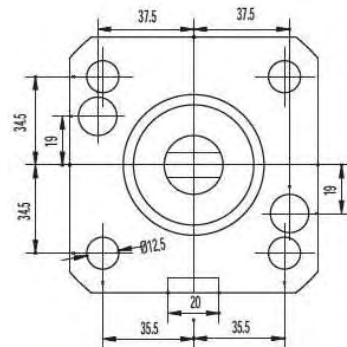
*Con passaggio refrigerante interno
With internal coolant
1000 PSI-70 bar

NAKAMURA TW20-WT300-SC300

MTR-WT30-ER32RD (ER32)
MTR-WT30-ER32RD-IC*



CONNECTION

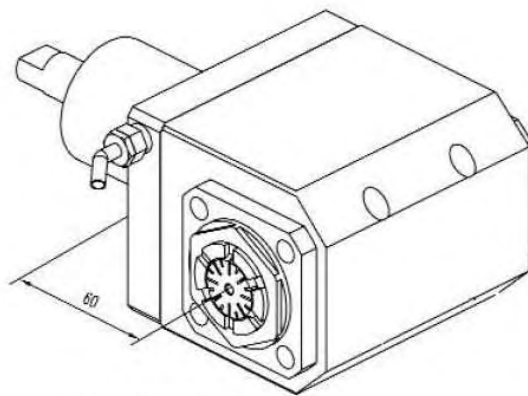
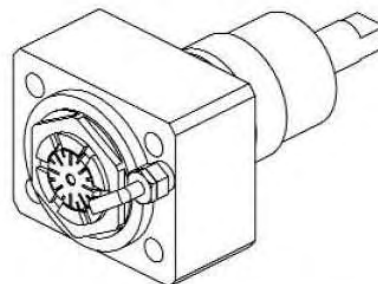


MTR-WT30-ER32AX (ER32)
MTR-WT30-ER32AX-IC*

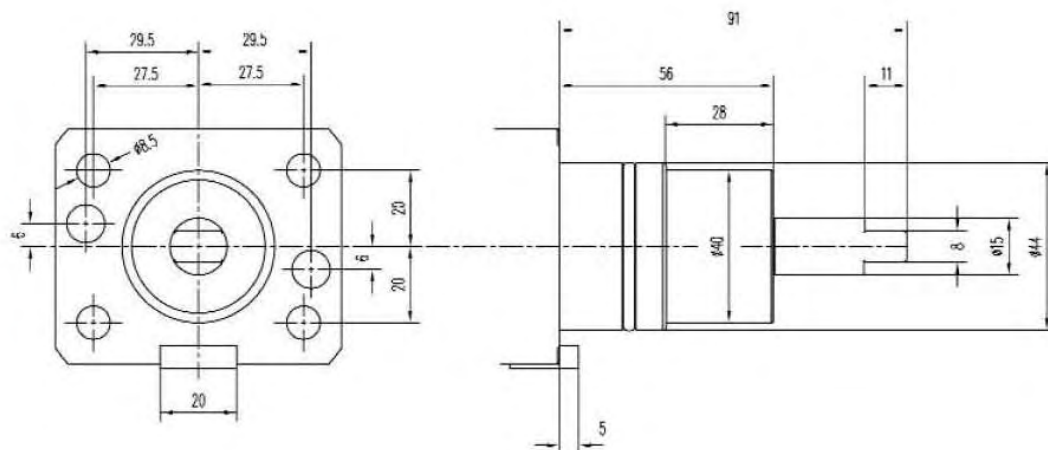
*Con passaggio refrigerante interno
With internal coolant
1000 PSI-70 bar

Velocit: max/Max. speed: 6000rpm

In dotazione: Chiavi di servizio/Viti di fissaggio/Ghiera ER/Tubetto di grasso/Libretto istruzioni
Standard equipment: Wrenches/Clamping screws/ER nut/Grease tube/Instruction book

NAKAMURA**MOTORIZZATI/DRIVEN TOOLS
NAKAMURA WT100-NTY3**MOTORIZZATI / DRIVEN TOOLS
NAKAMURA WT100-NTY3MTR-WT10-FR25RD (FR25A)
MTR-WT10-ER25RD-IC*MTR-WT10-FR25AX (FR25A)
MTR-WT10-ER25AX-IC**Con passaggio refrigerante interno
With internal coolant
1000 PSI-70 bar

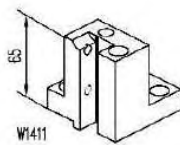
CONNECTION



Velocità max./Max. speed: 6000rpm

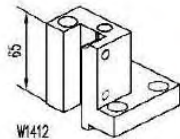
In dotazione: Chiavi di servizio/Viti di fissaggio/Chiera ER/Tubetto di grasso/Libretto istruzioni
Standard equipment: Wrenches/Clamping screws/FR nut/Grease tube/Instruction book

NAKAMURA TOME TW10



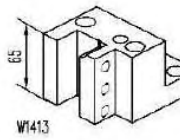
W1411

Face and O.D. cutting holder



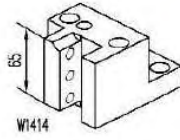
W1412

Face and O.D. cutting holder



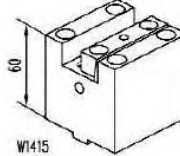
W1413

Face and O.D. cutting holder



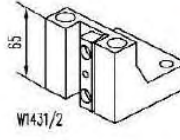
W1414

Face and O.D. cutting holder



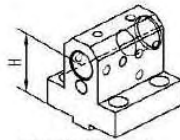
W1415

Face and I.D. cutting holder



W1431/2

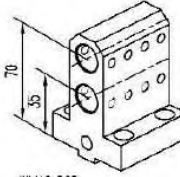
Face and O.D. cutting holder



W1417 D25 (H=55 mm)
W4437 D25 (H=75 mm)

Combi toolholder for boring bar and insert drill

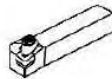
Ø25 mm



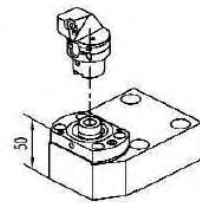
W1418 D25

Double toolholder for boring bar

Ø25 mm

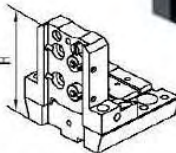


Qualified tool 20x20 mm



121-22056

Face and O.D. cutting holder
HSK 40 A+C



121-22075 (h=26 mm H=95 mm)
121-22076 (h=32 mm H=100 mm)

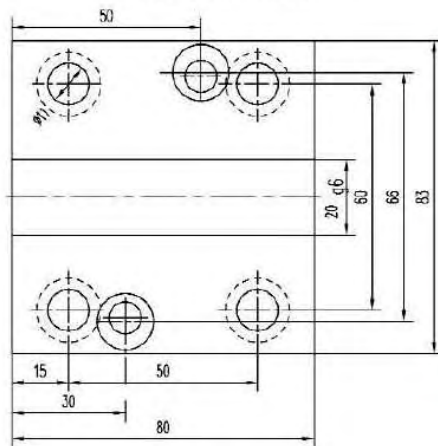


Cut-off holder



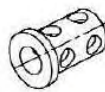
Cut-off tool

CONNECTION

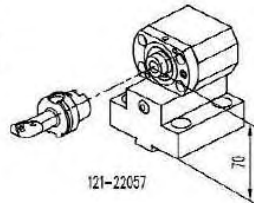


ACCESSORIES

Boring bar sleeve and throw-away drill socket



- 739.0125.020 TW10 (Ø20 mm)
- 739.0125.016 TW10 (Ø16 mm)
- 739.0125.012 TW10 (Ø12 mm)
- 739.0125.010 TW10 (Ø10 mm)
- 739.0125.008 TW10 (Ø8 mm)
- 739.0125.006 TW10 (Ø6 mm)

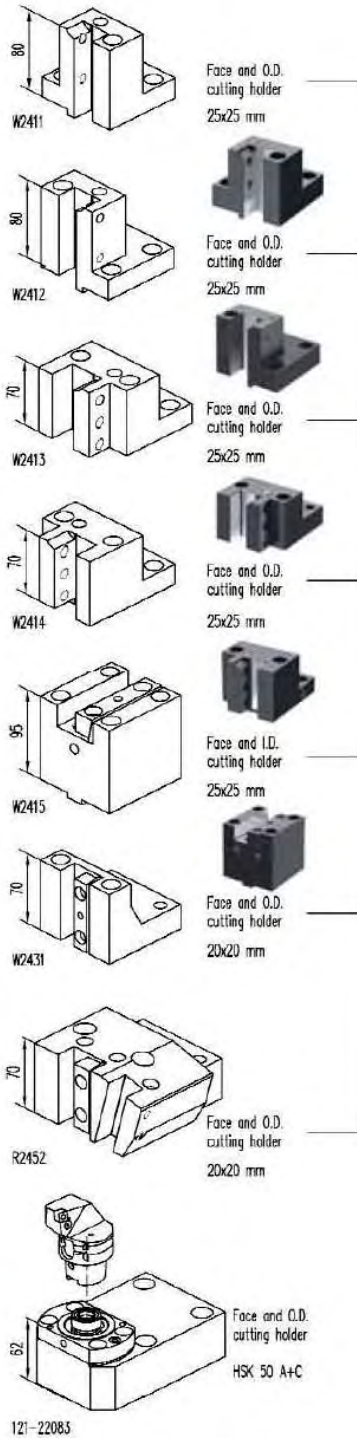


121-22057

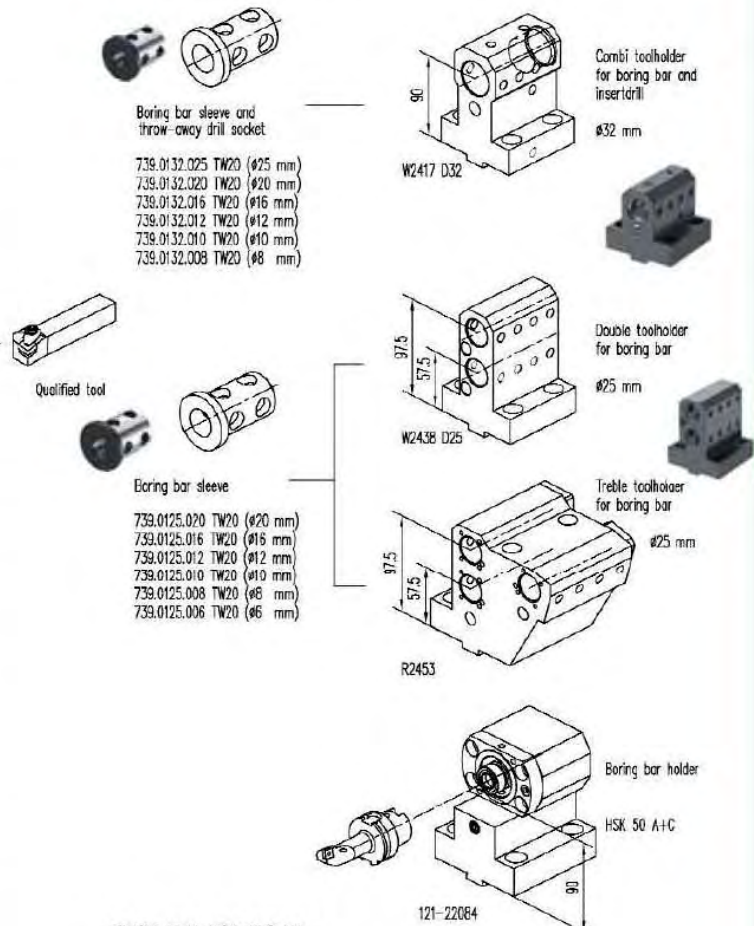
Boring bar holder
HSK 40 A+C

NAKAMURA TOME

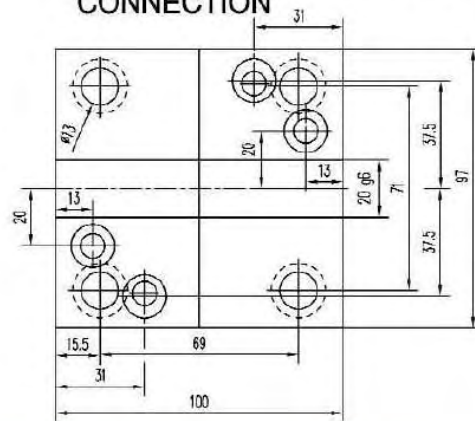
TW20 - WT300 - SC300



ACCESSORIES

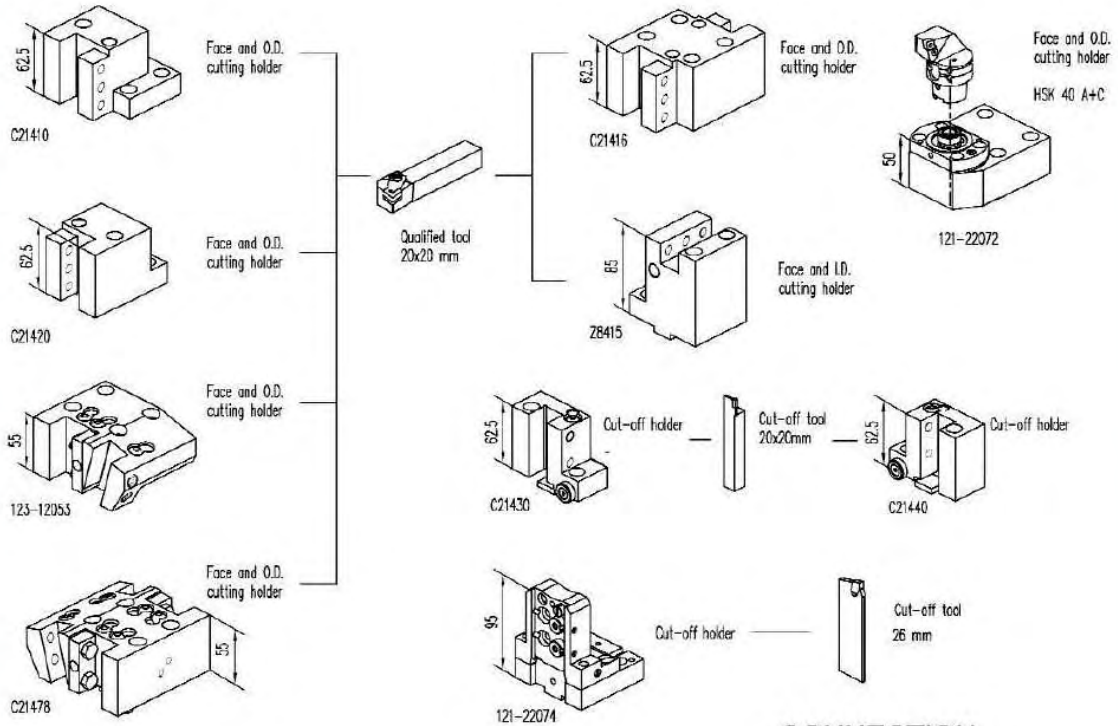


CONNECTION

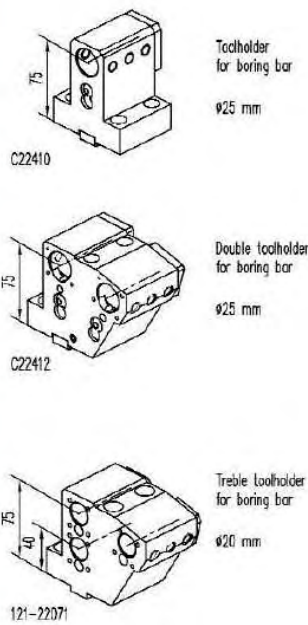


NAKAMURA TOME

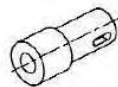
WT100



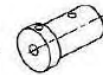
CONNECTION



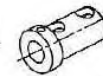
ACCESSORIES



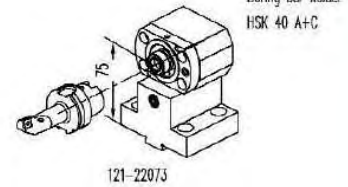
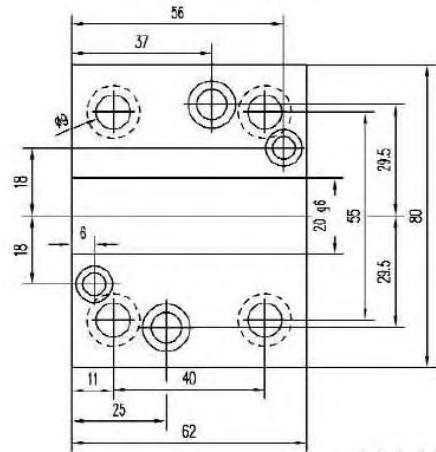
Drill socket
165-62518 <MT1>
165-62517 <MT2>



Boring bar sleeve
165-62516 (ø10 mm)
165-62515 (ø12 mm)

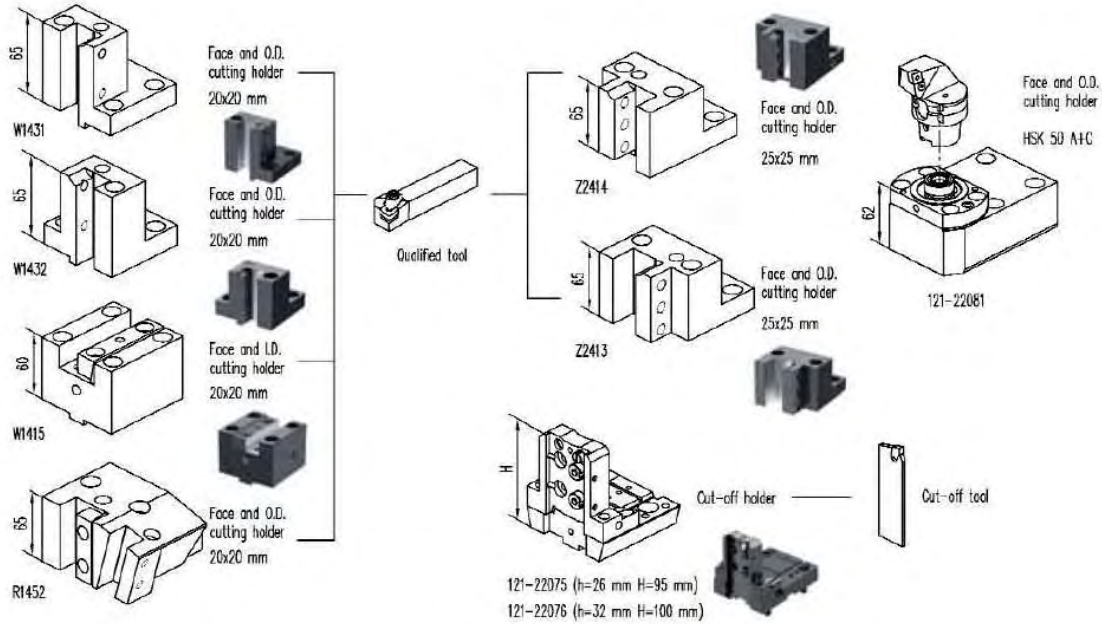


Boring bar sleeve
165-62514 (ø16 mm)
165-62513 (ø20 mm)

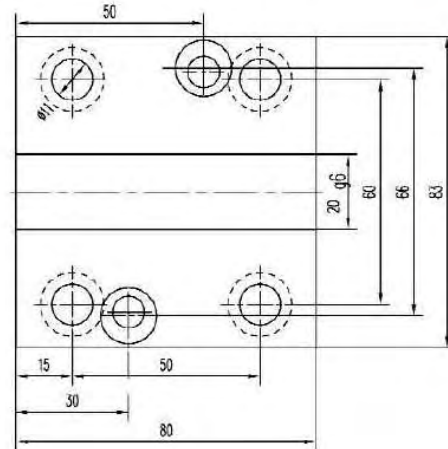


NAKAMURA TOME

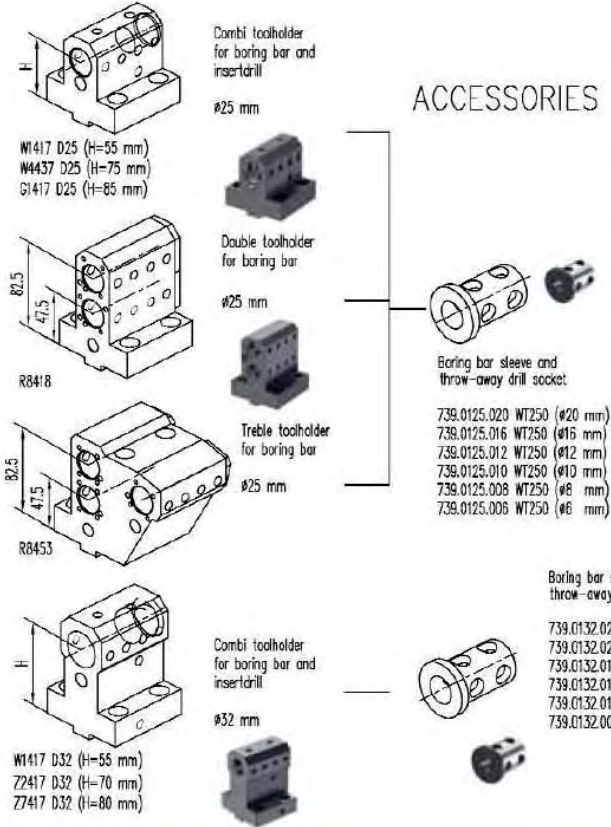
WT150 - WTW150 - WTS150
WT250 - SC150 - SC250



CONNECTION



ACCESSORIES



Boring bar sleeve and throw-away drill socket

- 739.0132.025 W1250 (#25 mm)
- 739.0132.020 W1250 (#20 mm)
- 739.0132.016 W1250 (#16 mm)
- 739.0132.012 W1250 (#12 mm)
- 739.0132.010 W1250 (#10 mm)
- 739.0132.008 W1250 (#8 mm)

